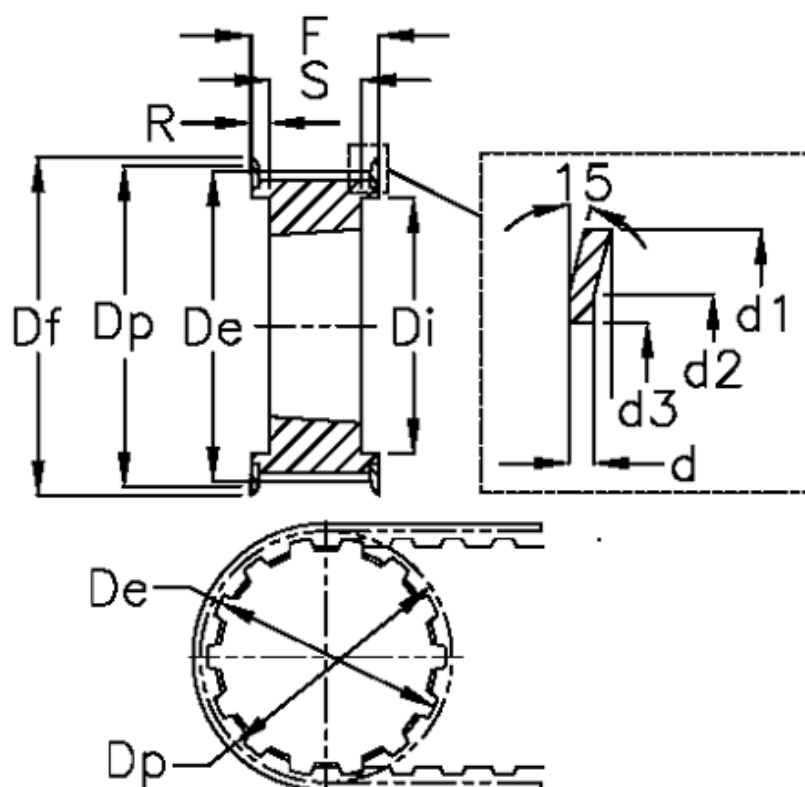


Article number: 604133064170

Description: Taper bored timing belt pulley
HTD 64 14M 170 TL 4040

Measures



d = 2.5	F = 187	Weight = 41
d1 = 296	Flange type = F70	Width = 170
d2 = 287	For bushing = 4040	
d3 = 260	Max bore = 100	
De = 282.41	r = 42.5	
Df = 296	S = 102	
Di = 240	Tooth number = 64	
Dp = 285.21	Type = 14M	